

FEATURES

- Highly Integrated IC in 2mm × 3mm DFN Package Reduces Solution Size
- Uses Small Transformers:
5.8mm × 5.8mm × 3mm
- Fast Photoflash Charge Times:
4.6s for LT3484-0 (0V to 320V, 100μF, V_{IN} = 3.6V)
5.7s for LT3484-2 (0V to 320V, 100μF, V_{IN} = 3.6V)
5.5s for LT3484-1 (0V to 320V, 50μF, V_{IN} = 3.6V)
- Operates from Two AA Batteries, or Any Supply from 1.8V up to 16V
- Controlled Average Input Current
500mA (LT3484-0)
350mA (LT3484-2)
225mA (LT3484-1)
- No Output Voltage Divider Needed
- No External Schottky Diode Required
- Charges Any Size Photoflash Capacitor
- Available in 6-Lead 2mm × 3mm DFN Package

APPLICATIONS

- Digital Camera and Cell Phone Flash Charger

DESCRIPTION

The LT[®]3484 family of photoflash capacitor charger ICs is designed for use in digital camera and mobile phone applications where space is at a premium. The LT3484's patented control technique allows it to use extremely small transformers, and the improved NPN power switch requires no external Schottky diode clamp, reducing solution size. Output voltage detection requires no external circuitry as the transformer turns ratio determines final charge voltage.

The devices feature a V_{BAT} pin, which allows the use of 2 alkaline cells to charge the capacitor. The LT3484-0, -2 and -1 have primary current limits of 1.4A, 1A and 0.7A respectively, resulting in tightly controlled average input current of 500mA, 350mA and 225mA respectively. The three versions are otherwise identical.

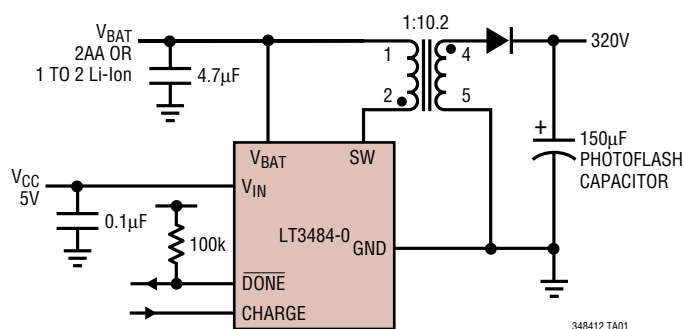
The CHARGE pin gives full control of the part to the user. Driving CHARGE low puts the part in shutdown. The DONE pin indicates when the part has completed charging. The LT3484 series of parts are housed in a tiny low profile 2mm × 3mm DFN package.

LT, LTC and LT are registered trademarks of Linear Technology Corporation. All other trademarks are the property of their respective owners. Protected by U.S. Patents including 6636021.

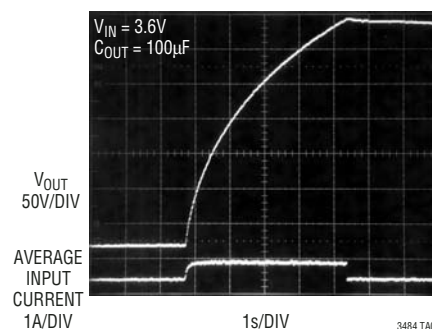
TYPICAL APPLICATION

LT3484-0 Photoflash Charger Uses High Efficiency 3mm Tall Transformers

DANGER HIGH VOLTAGE – OPERATION BY HIGH VOLTAGE TRAINED PERSONNEL ONLY



LT3484-0 Charging Waveform



LT3484-0/LT3484-1/LT3484-2

ABSOLUTE MAXIMUM RATINGS

(Note 1)

| | |
|------------------------------------|----------------|
| V_{IN} Voltage | 16V |
| V_{BAT} Voltage | 16V |
| SW Voltage | -1V to 50V |
| SW Pin Negative Current | -0.5A |
| CHARGE Voltage | 10V |
| DONE Voltage | 10V |
| Current into DONE Pin | ± 1 mA |
| Maximum Junction Temperature | 125°C |
| Operating Temperature Range | -40°C to 85°C |
| Storage Temperature Range | -65°C to 150°C |

PACKAGE/ORDER INFORMATION

TOP VIEW

DCB6 PACKAGE
6-LEAD (2mm × 3mm) PLASTIC DFN
 $T_{JMAX} = 125^{\circ}\text{C}$ $\theta_{JA} = 73.5^{\circ}\text{C/W}$
EXPOSED PAD (PIN 7) IS GND, MUST BE SOLDERED TO PCB

| ORDER PART NUMBER | DCB6 PART MARKING |
|-------------------|-------------------|
| LT3484EDCB-0 | LBTM |
| LT3484EDCB-1 | LBTN |
| LT3484EDCB-2 | LBTP |

Order Options Tape and Reel: Add #TR
Lead Free: Add #PBF Lead Free Tape and Reel: Add #TRPBF
Lead Free Part Marking: <http://www.linear.com/leadfree/>

Consult LTC Marketing for parts specified with wider operating temperature ranges.

ELECTRICAL CHARACTERISTICS

The ● denotes the specifications which apply over the full operating temperature range, otherwise specifications are at $T_A = 25^{\circ}\text{C}$. $V_{IN} = V_{BAT} = V_{CHARGE} = 3\text{V}$, unless otherwise noted.

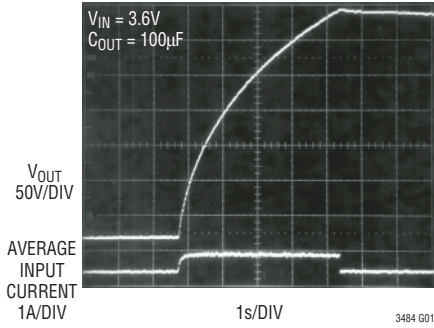
| PARAMETER | CONDITIONS | MIN | TYP | MAX | UNITS | |
|-----------------------------------|---|-------|------|------|---------------|---|
| Quiescent Current | Not Switching $V_{CHARGE} = 0\text{V}$ | | 5 | 8 | mA | |
| | | | 0 | 1 | μA | |
| V_{CC} Voltage Range | | ● 2.5 | | 16 | V | |
| V_{BAT} Voltage Range | | ● 1.7 | | 16 | V | |
| Switch Current Limit | LT3484-0 | | 1.1 | 1.2 | 1.3 | A |
| | LT3484-2 | | 0.75 | 0.85 | 0.95 | A |
| | LT3484-1 | | 0.45 | 0.55 | 0.65 | A |
| Switch V_{CESAT} | LT3484-0, $I_{SW} = 1\text{A}$ | | 330 | 430 | mV | |
| | LT3484-2, $I_{SW} = 650\text{mA}$ | | 210 | 280 | mV | |
| | LT3484-1, $I_{SW} = 400\text{mA}$ | | 150 | 200 | mV | |
| V_{OUT} Comparator Trip Voltage | Measured as $V_{SW} - V_{IN}$ | ● 31 | 31.5 | 32 | V | |
| V_{OUT} Comparator Overdrive | 300ns Pulse Width | | 200 | 400 | mV | |
| DCM Comparator Trip Voltage | Measured as $V_{SW} - V_{IN}$ | ● 10 | 60 | 120 | mV | |
| CHARGE Pin Current | $V_{CHARGE} = 3\text{V}$ $V_{CHARGE} = 0\text{V}$ | | 65 | 100 | μA | |
| | | | 0 | 0.1 | μA | |
| Switch Leakage Current | $V_{IN} = V_{SW} = 5\text{V}$, in Shutdown | ● | 0.01 | 1 | μA | |
| CHARGE Input Voltage High | | ● 1 | | | V | |
| CHARGE Input Voltage Low | | ● | | 0.3 | V | |
| DONE Output Signal High | 100k Ω from V_{IN} to $\overline{\text{DONE}}$ | | 3 | | V | |
| DONE Output Signal Low | 33 μA into $\overline{\text{DONE}}$ Pin | | 100 | 200 | mV | |
| DONE Leakage Current | $V_{\overline{\text{DONE}}} = 3\text{V}$, $\overline{\text{DONE}}$ NPN Off | | 20 | 100 | nA | |

Note 1: Absolute Maximum Ratings are those values beyond which the life of a device may be impaired.

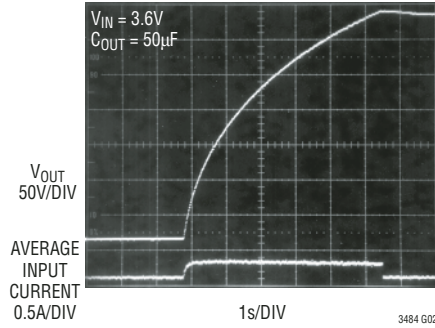
3484012f

TYPICAL PERFORMANCE CHARACTERISTICS LT3484-0 curves use the circuit of Figure 6, LT3484-1 curves use the circuit of Figure 7 and LT3484-2 use the circuit of Figure 8, $T_A = 25^\circ\text{C}$ unless otherwise noted.

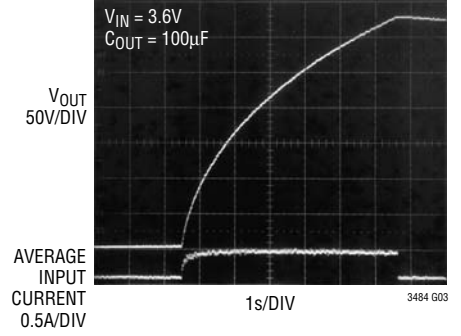
LT3484-0 Charging Waveform



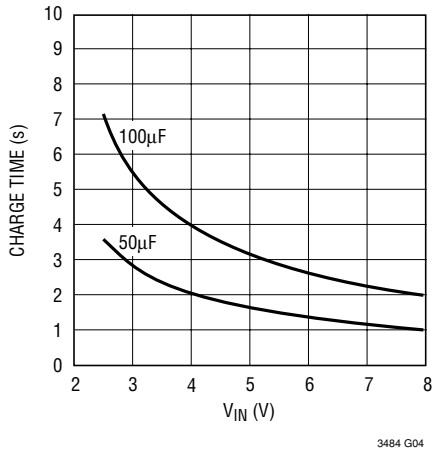
LT3484-1 Charging Waveform



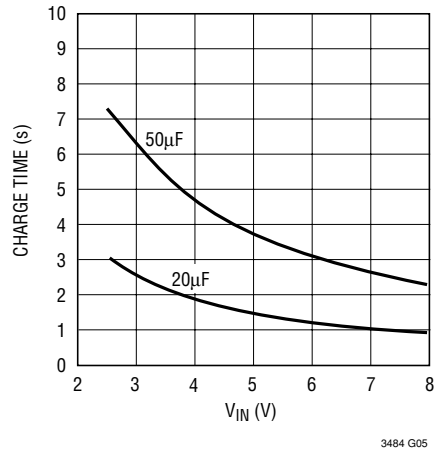
LT3484-2 Charging Waveform



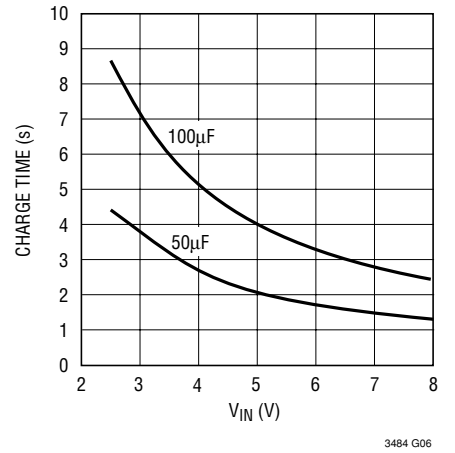
LT3484-0 Charge Time



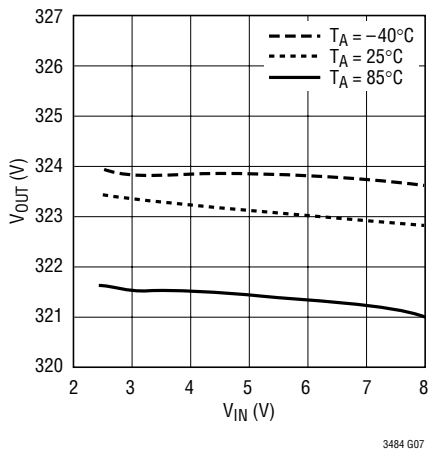
LT3484-1 Charge Time



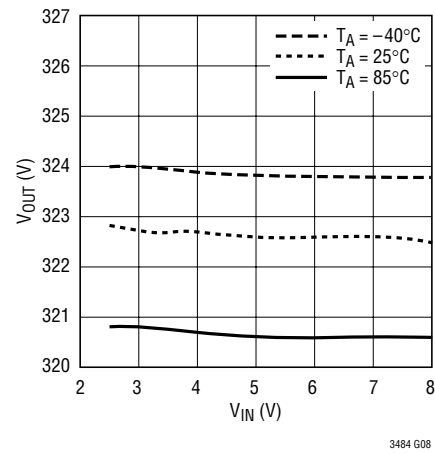
LT3484-2 Charge Time



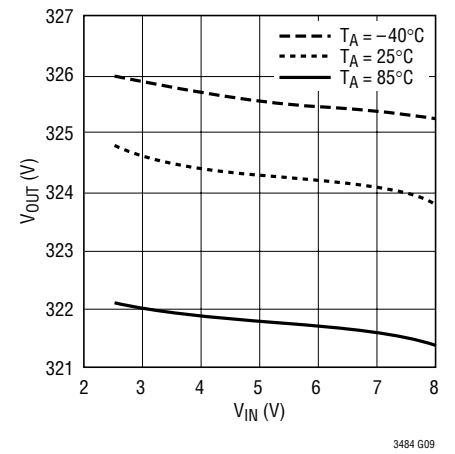
LT3484-0 Output Voltage



LT3484-1 Output Voltage



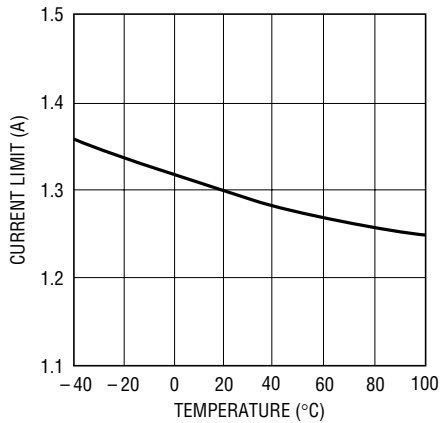
LT3484-2 Output Voltage



LT3484-0/LT3484-1/LT3484-2

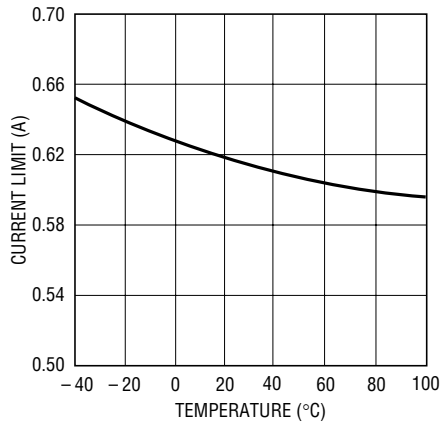
TYPICAL PERFORMANCE CHARACTERISTICS LT3484-0 curves use the circuit of Figure 6, LT3484-1 curves use the circuit of Figure 7 and LT3484-2 use the circuit of Figure 8, $T_A = 25^\circ\text{C}$ unless otherwise noted.

LT3484-0 Switch Current Limit



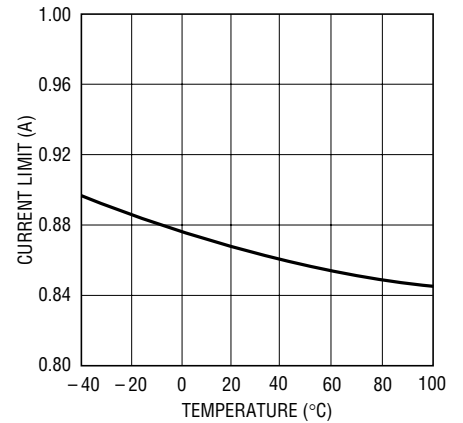
3484 G10

LT3484-1 Switch Current Limit



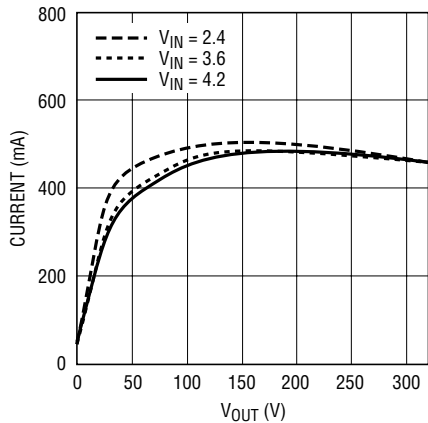
3484 G11

LT3484-2 Switch Current Limit



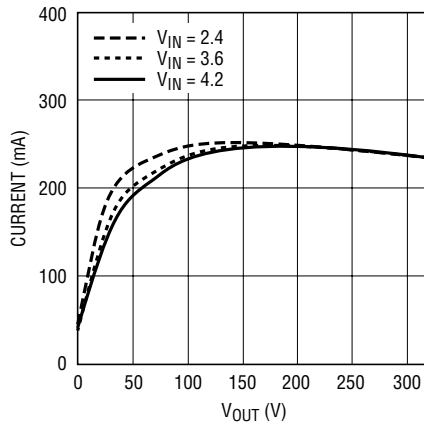
3484 G12

LT3484-0 Input Current



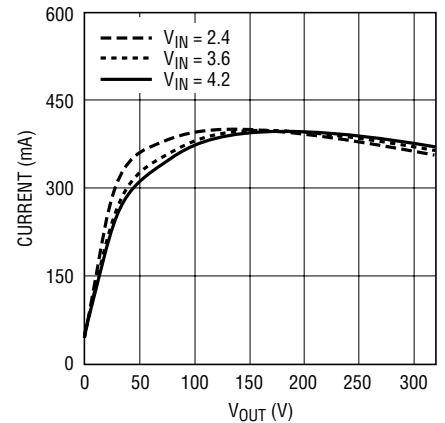
3484 G13

LT3484-1 Input Current



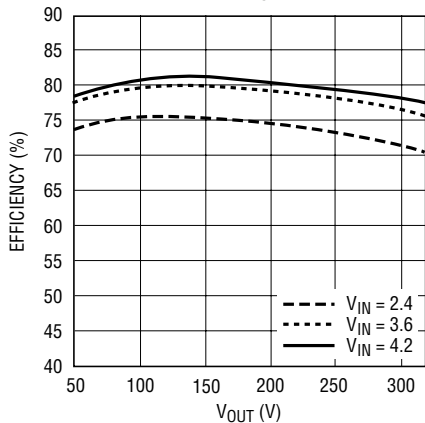
3484 G14

LT3484-2 Input Current



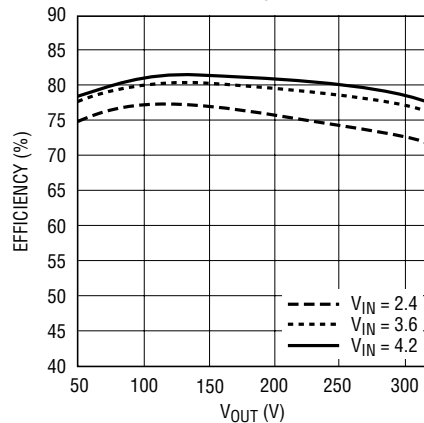
3484 G15

LT3484-0 Efficiency



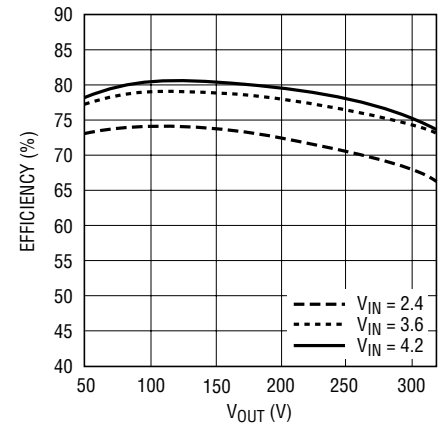
3484 G16

LT3484-1 Efficiency



3484 G17

LT3484-2 Efficiency



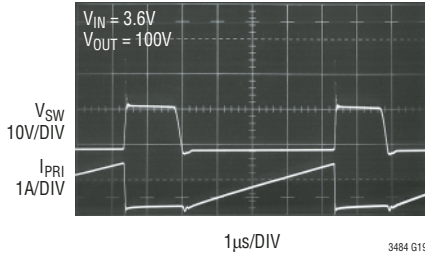
3484 G18

3484012f

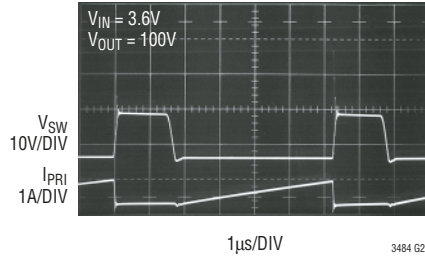
TYPICAL PERFORMANCE CHARACTERISTICS

LT3484-0 curves use the circuit of Figure 6, LT3484-1 curves use the circuit of Figure 7 and LT3484-2 use the circuit of Figure 8, $T_A = 25^\circ\text{C}$ unless otherwise noted.

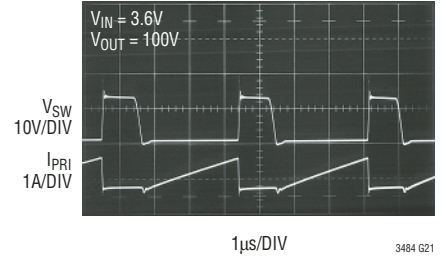
LT3484-0 Switching Waveform



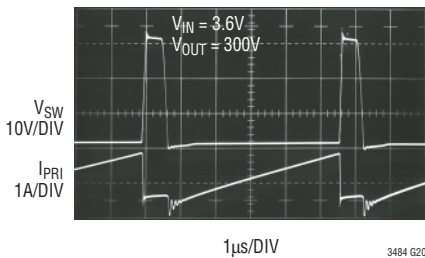
LT3484-1 Switching Waveform



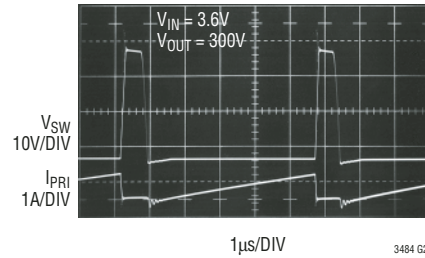
LT3484-2 Switching Waveform



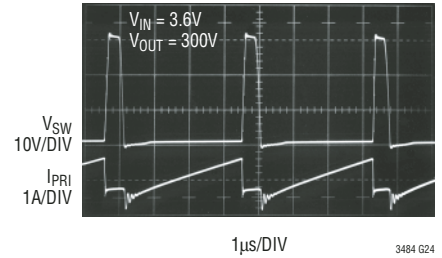
LT3484-0 Switching Waveform



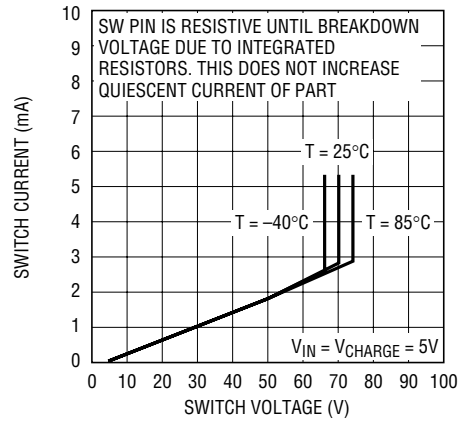
LT3484-1 Switching Waveform



LT3484-2 Switching Waveform



**LT3484-0/LT3484-1/LT3484-2
Switch Breakdown Voltage**



PIN FUNCTIONS

DONE (Pin 1): Open NPN Collector Indication Pin. When target output voltage is reached, NPN turns on, pulling Pin 1 low. This pin needs a pull-up resistor or current source.

CHARGE (Pin 2): Charge Pin. A low (<0.3V) to high (>1V) transition on this pin puts the part into power delivery mode. Once the target voltage is reached, the part will stop charging the output. Toggle this pin to start charging again. Bringing the pin low (<0.3V) will terminate the power delivery and put the part in shutdown.

V_{IN} (Pin 3): Input Supply Pin. Must be locally bypassed with a good quality ceramic capacitor. Input supply must be 2.5V or higher.

SW (Pins 4, 5): Switch Pins. These are the collector of the internal NPN Power switch. Tie these pins together on the

PC Board. Minimize the metal trace area connected to these pins to minimize EMI. Tie one side of the primary of the transformer to these pins. The target output voltage is set by the turns ratio of the transformer.

Choose Turns Ratio N by the following equation:

$$N = \frac{V_{OUT} + 2}{31.5}$$

where V_{OUT} is the desired output voltage.

V_{BAT} (Pin 6): Battery Supply Pin. Must be locally bypassed with a good quality ceramic capacitor. Battery supply must be 1.7V or higher. The other terminal of the transformer primary must be connected to V_{BAT}.

GND (Pin 7): Ground. Tie directly to local ground plane.

FUNCTIONAL BLOCK DIAGRAM

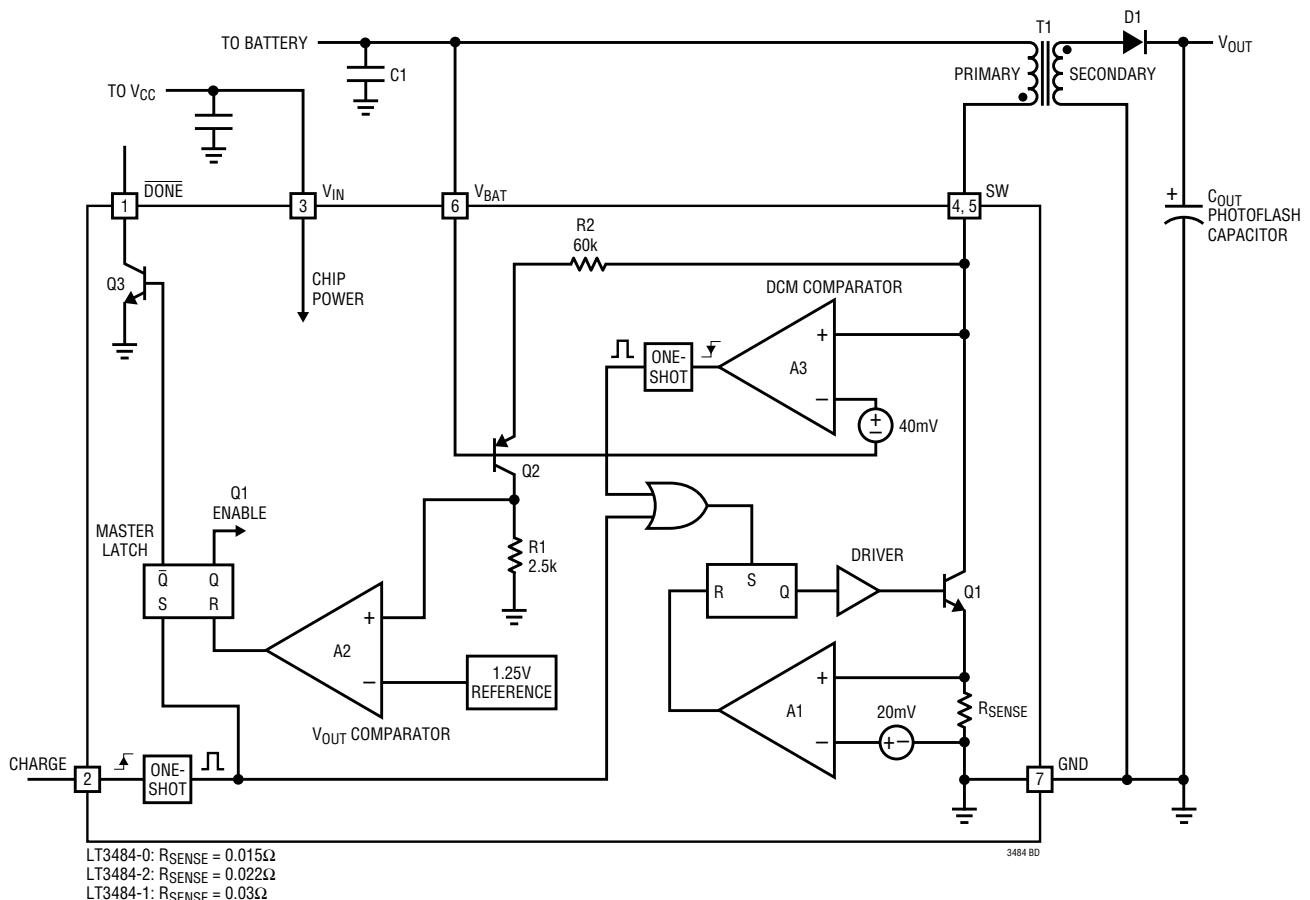


Figure 1

OPERATION

The LT3484-0/LT3484-1/LT3484-2 are designed to charge photoflash capacitors quickly and efficiently. The operation of the part can be best understood by referring to Figure 1. When the CHARGE pin is first driven high, a one shot sets both SR latches in the correct state. The power NPN device, Q1, turns on and current begins ramping up in the primary of transformer T1. Comparator A1 monitors the switch current and when the peak current reaches 1.4A (LT3484-0), 1A(LT3484-2) or 0.7A (LT3484-1), Q1 is turned off. Since T1 is utilized as a flyback transformer, the flyback pulse on the SW pin will cause the output of A3 to be high. The voltage on the SW pin needs to be at least 40mV higher than V_{BAT} for this to happen.

During this phase, current is delivered to the photoflash capacitor via the secondary and diode D1. As the secondary current decreases to zero, the SW pin voltage will begin to collapse. When the SW pin voltage drops to 40mV above V_{BAT} or lower, the output of A3 (DCM Comparator) will go low. This fires a one shot which turns Q1 back on. This cycle will continue to deliver power to the output.

Output voltage detection is accomplished via R2, R1, Q2, and comparator A2 (V_{OUT} Comparator). Resistors R1 and R2 are sized so that when the SW voltage is 31.5V above V_{IN} , the output of A2 goes high which resets the master latch. This disables Q1 and halts power delivery. NPN transistor Q3 is turned on pulling the \overline{DONE} pin low, indicating that the part has finished charging. Power delivery can only be restarted by toggling the CHARGE pin.

The CHARGE pin gives full control of the part to the user. The charging can be halted at any time by bringing the CHARGE pin low. Only when the final output voltage is reached will the \overline{DONE} pin go low. Figure 2 shows these various modes in action. When CHARGE is first brought high, charging commences. When CHARGE is brought low during charging, the part goes into shutdown and V_{OUT} no longer rises. When CHARGE is brought high again, charging resumes. When the target V_{OUT} voltage is reached, the \overline{DONE} pin goes low and charging stops. Finally the CHARGE pin is brought low again so the part enters shutdown and the \overline{DONE} pin goes high. Both V_{BAT} and V_{IN} have undervoltage lockout (UVLO). When one of these pins goes below its UVLO voltage, the \overline{DONE} pin goes low. With an insufficient bypass capacitor on V_{BAT} or V_{IN} , the ripple on the pin is likely to activate the UVLO and terminate the charge. The application diagrams suggest values adequate for most applications.

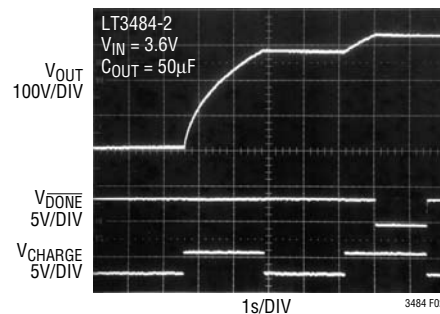


Figure 2. Halting the Charging Cycle with the CHARGE Pin

APPLICATIONS INFORMATION

Choosing the Right Device (LT3484-0/LT3484-1/LT3484-2)

The only difference between the three versions of the LT3484 is the peak current level. For the fastest possible charge time, use the LT3484-0. The LT3484-1 has the lowest peak current capability, and is designed for applications that need a more limited drain on the batteries. Due to the lower peak current, the LT3484-1 can use a physically smaller transformer. The LT3484-2 has a current limit in between that of the LT3484-0 and the LT3484-1.

Transformer Design

The flyback transformer is a key element for any LT3484-0/LT3484-1/LT3484-2 design. It must be designed carefully and checked that it does not cause excessive current or voltage on any pin of the part. The main parameters that need to be designed are shown in Table 1.

The first transformer parameter that needs to be set is the turns ratio N. The LT3484-0/LT3484-1/LT3484-2 accomplish output voltage detection by monitoring the flyback waveform on the SW pin. When the SW voltage reaches 31.5V higher than the V_{BAT} voltage, the part will halt power delivery. Thus, the choice of N sets the target output

APPLICATIONS INFORMATION

voltage as it changes the amplitude of the reflected voltage from the output to the SW pin. Choose N according to the following equation:

$$N = \frac{V_{OUT} + 2}{31.5}$$

Where: V_{OUT} is the desired output voltage. The number 2 in the numerator is used to include the effect of the voltage drop across the output diode(s).

Thus for a 320V output, N should be 322/31.5 or 10.2. For a 300V output, choose N equal to 302/31.5 or 9.6.

The next parameter that needs to be set is the primary inductance, L_{PRI} . Choose L_{PRI} according to the following formula:

$$L_{PRI} \geq \frac{V_{OUT} \cdot 200 \cdot 10^{-9}}{N \cdot I_{PK}}$$

Where: V_{OUT} is the desired output voltage. N is the transformer turns ratio. I_{PK} is 1.4 (LT3484-0), 0.7 (LT3484-1), and 1.0 (LT3484-2).

L_{PRI} needs to be equal or larger than this value to ensure that the LT3484-0/LT3484-1/LT3484-2 has adequate time to respond to the flyback waveform.

All other parameters need to meet or exceed the recommended limits as shown in Table 1. A particularly important parameter is the leakage inductance, L_{LEAK} . When the power switch of the LT3484-0/LT3484-1/LT3484-2 turns off, the leakage inductance on the primary of the transformer causes a voltage spike to occur on the SW pin. **The height of this spike must not exceed 40V**, even though the absolute maximum rating of the SW Pin is 50V. The 50V absolute maximum rating is a DC blocking voltage specification, which assumes that the current in the power NPN is zero. Figure 3 shows the SW voltage waveform for the circuit of Figure 6 (LT3484-0). Note that the absolute maximum rating of the SW pin is not exceeded. Make sure to check the SW voltage waveform with V_{OUT} near the target output voltage, as this is the worst case condition for SW voltage. Figure 4 shows the various limits on the SW voltage during switch turn off.

It is important not to minimize the leakage inductance to a very low level. Although this would result in a very low leakage spike on the SW pin, the parasitic capacitance of the transformer would become large. This will adversely affect the charge time of the photoflash circuit.

Linear Technology has worked with several leading magnetic component manufacturers to produce pre-designed flyback transformers for use with the LT3484-0/LT3484-1/LT3484-2. Table 2 shows the details of several of these transformers.

Table 1. Recommended Transformer Parameters

| PARAMETER | NAME | TYPICAL RANGE LT3484-0 | TYPICAL RANGE LT3484-1 | TYPICAL RANGE LT3484-2 | UNITS |
|------------|--|---------------------------|---------------------------|---------------------------|------------|
| L_{PRI} | Primary Inductance | >5 | >10 | >7 | μ H |
| L_{LEAK} | Primary Leakage Inductance | 100 to 300 | 200 to 500 | 200 to 500 | nH |
| N | Secondary: Primary Turns Ratio | 1:8 to 1:12 | 1:8 to 1:12 | 1:8 to 1:12 | |
| V_{ISO} | Secondary to Primary Isolation Voltage | >500 | >500 | >500 | V |
| I_{SAT} | Primary Saturation Current | >1.6 | >0.8 | >1.0 | A |
| R_{PRI} | Primary Winding Resistance | <300 | <500 | <400 | m Ω |
| R_{SEC} | Secondary Winding Resistance | <40 | <80 | <60 | Ω |

APPLICATIONS INFORMATION

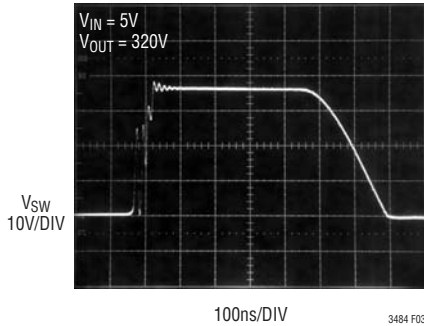


Figure 3. LT3484-0 SW Voltage Waveform

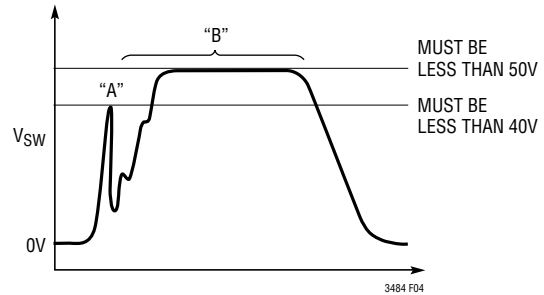


Figure 4. New Transformer Design Check (Not to Scale)

Table 2. Pre-Designed Transformers – Typical Specifications Unless Otherwise Noted

| FOR USE WITH | TRANSFORMER NAME | SIZE (W × L × H) mm | LPRI (μH) | LPRI-LEAKAGE (nH) | N | RPRI (mΩ) | RSEC (Ω) | VENDOR |
|----------------------------------|--|---|-------------------|-------------------------------|----------------------|-------------------------------|------------------------------|---|
| LT3484-0/LT3484-2 LT3484-1 | SBL-5.6-1 SBL-5.6S-1 | 5.6 × 8.5 × 4.0 5.6 × 8.5 × 3.0 | 10 24 | 200 Max 400 Max | 10.2 10.2 | 103 305 | 26 55 | Kijima Musen Hong Kong Office 852-2489-8266 (ph) kijimahk@netvigator.com (email) |
| LT3484-0 LT3484-1 LT3484-2 | LDT565630T-001 LDT565630T-002 LDT565630T-003 | 5.8 × 5.8 × 3.0 5.8 × 5.8 × 3.0 5.8 × 5.8 × 3.0 | 6 14.5 10.5 | 200 Max 500 Max 550 Max | 10.4 10.2 10.2 | 100 Max 240 Max 210 Max | 10 Max 16.5 Max 14 Max | TDK Chicago Sales Office (847) 803-6100 (ph) www.components.tdk.com |
| LT3484-0/LT3484-2 LT3484-1 | T-15-089 T-15-083 | 6.4 × 7.7 × 4.0 8.0 × 8.9 × 2.0 | 12 20 | 400 Max 500 Max | 10.2 10.2 | 211 Max 675 Max | 27 Max 35 Max | Tokyo Coil Engineering Japan Office 0426-56-6262 (ph) www.tokyo-coil.co.jp |

Capacitor Selection

For the input bypass capacitors, high quality X5R or X7R types should be used. Make sure the voltage capability of the part is adequate.

Output Diode Selection

The rectifying diode(s) should be low capacitance type with sufficient reverse voltage and forward current ratings. The peak reverse voltage that the diode(s) will see is approximately:

$$V_{PK-R} = V_{OUT} + (N \cdot V_{IN})$$

The peak current of the diode is simply:

$$I_{PK-SEC} = \frac{1.4}{N} \text{ (LT3484-0)}$$

$$I_{PK-SEC} = \frac{1.0}{N} \text{ (LT3484-2)}$$

$$I_{PK-SEC} = \frac{0.7}{N} \text{ (LT3484-1)}$$

For the circuit of Figure 6 with V_{BAT} of 5V, V_{PK-R} is 371V and I_{PK-SEC} is 137mA. The GSD2004S dual silicon diode is recommended for most LT3484-0/LT3484-1/LT3484-2 applications. Another option is to use the BAV23S dual silicon diodes. Table 3 shows the various diodes and relevant specifications. Use the appropriate number of diodes to achieve the necessary reverse breakdown voltage.

APPLICATIONS INFORMATION

Table 3. Recommended Output Diodes

| PART | MAX REVERSE VOLTAGE (V) | MAX FORWARD CONTINUOUS CURRENT (mA) | CAPACITANCE (pF) | VENDOR |
|------------------------|-------------------------|-------------------------------------|------------------|--|
| GSD2004S (Dual Diode) | 2x300 | 225 | 5 | Vishay (402) 563-6866 www.vishay.com |
| BAV23S (Dual Diode) | 2x250 | 225 | 5 | Philips Semiconductor (800) 447-1500 www.philips.com |
| MMBD3004S (Dual Diode) | 2x350 | 225 | 5 | Diodes Inc (816) 251-8800 www.diodes.com |

Board Layout

The high voltage operation of the LT3484-0/LT3484-1/LT3484-2 demands careful attention to board layout. You will not get advertised performance with careless layout. Figure 5 shows the recommended component placement. Keep the area for the high voltage end of the secondary as small as possible. Also note the larger than minimum spacing for all high voltage nodes in order to meet breakdown voltage requirements for the circuit board. *It is imperative to keep the electrical path formed by C1, the primary of T1, and the LT3484-0/LT3484-1/LT3484-2 as short as possible.* If this path is haphazardly made long, it will effectively increase the leakage inductance of T1, which may result in an overvoltage condition on the SW pin.

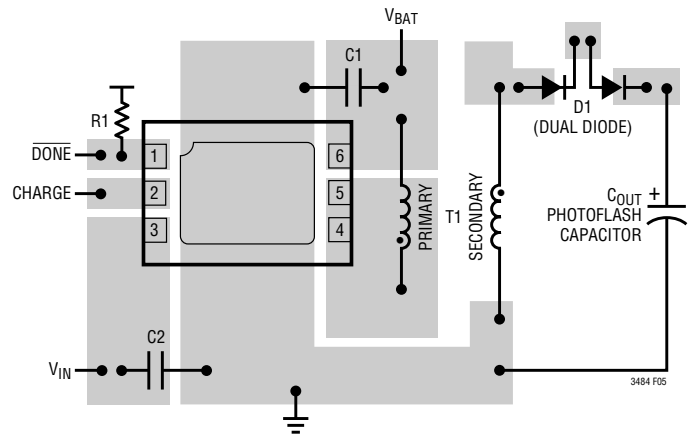


Figure 5. Suggested Layout: Keep Electrical Path Formed by C1, Transformer Primary and LT3484-0/LT3484-1/LT3484-2 Short

TYPICAL APPLICATIONS

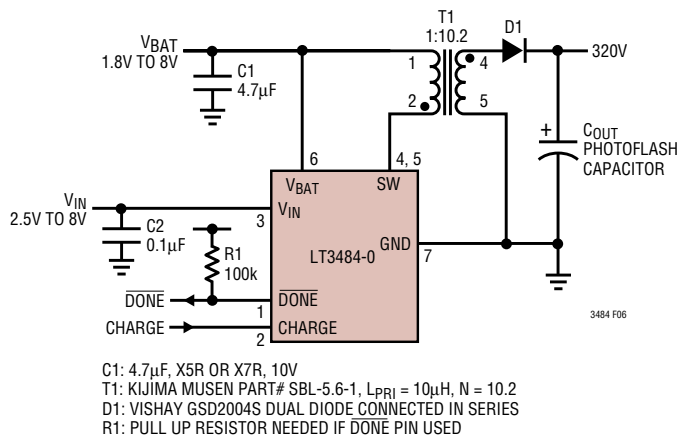


Figure 6. LT3484-0 Photoflash Charger Uses High Efficiency 4mm Tall Transformer

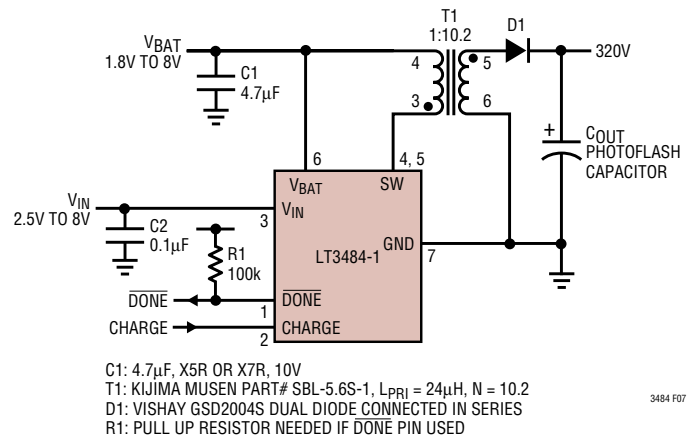


Figure 7. LT3484-1 Photoflash Charger Uses High Efficiency 3mm Tall Transformer

TYPICAL APPLICATIONS

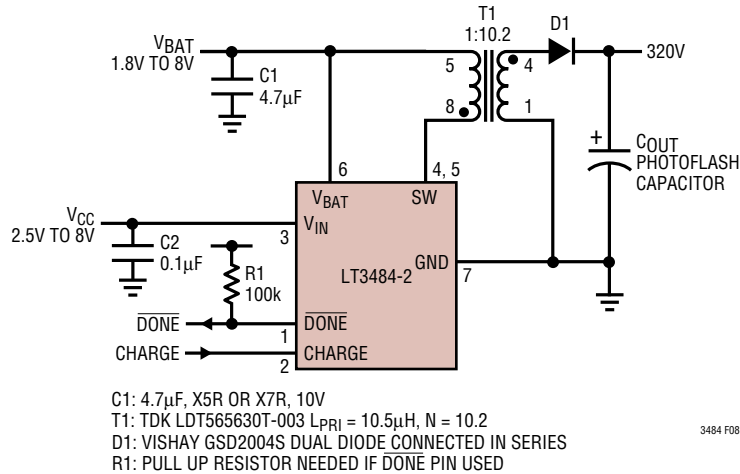
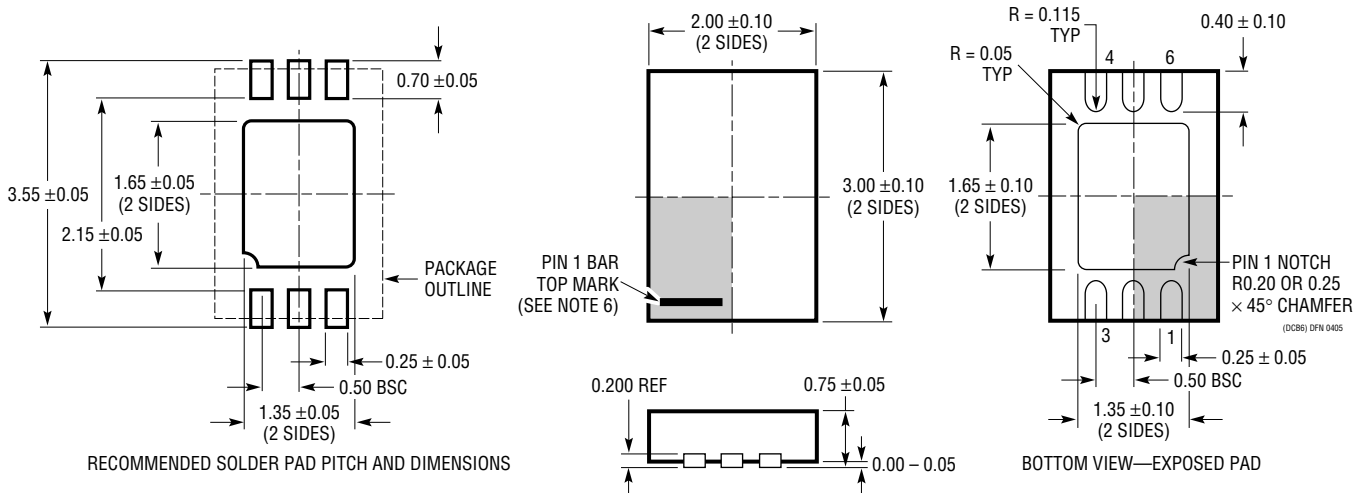


Figure 8. LT3484-2 Photoflash Charger Uses High Efficiency 3mm Tall Transformer

PACKAGE DESCRIPTION

DCB Package
6-Lead Plastic DFN (2mm × 3mm)
(Reference LTC DWG # 05-08-1715)

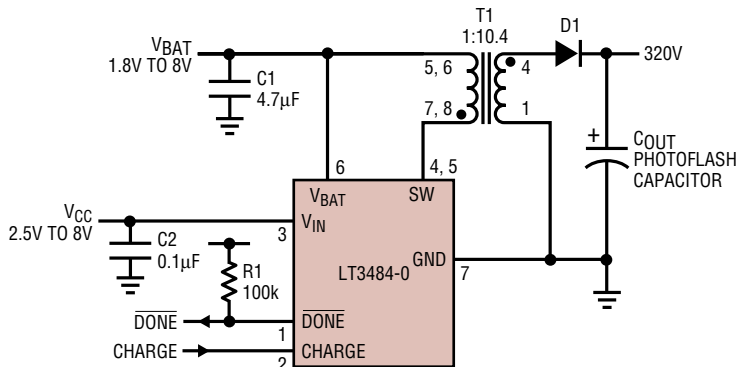


- NOTE:
1. DRAWING TO BE MADE A JEDEC PACKAGE OUTLINE MO-229 VARIATION OF (TBD)
 2. DRAWING NOT TO SCALE
 3. ALL DIMENSIONS ARE IN MILLIMETERS
 4. DIMENSIONS OF EXPOSED PAD ON BOTTOM OF PACKAGE DO NOT INCLUDE MOLD FLASH. MOLD FLASH, IF PRESENT, SHALL NOT EXCEED 0.15mm ON ANY SIDE
 5. EXPOSED PAD SHALL BE SOLDER PLATED
 6. SHADED AREA IS ONLY A REFERENCE FOR PIN 1 LOCATION ON THE TOP AND BOTTOM OF PACKAGE

LT3484-0/LT3484-1/LT3484-2

TYPICAL APPLICATIONS

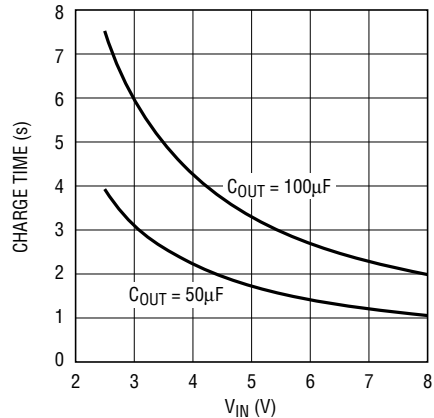
LT3484-0 Photoflash Circuit Uses Tiny 3mm Tall Transformer



C1: 4.7µF, X5R OR X7R, 10V
 T1: TDK PART# LDT565630T-001, $L_{PRI} = 6\mu\text{H}$, $N = 10.4$
 D1: VISHAY GSD2004S DUAL DIODE CONNECTED IN SERIES
 R1: PULL UP RESISTOR NEEDED IF DONE PIN USED

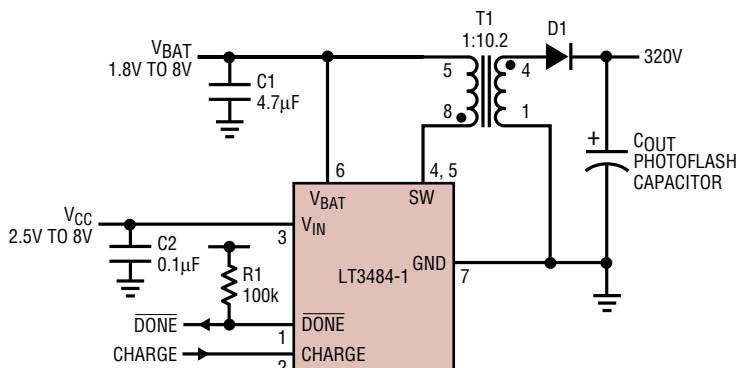
3484 TA03

Charge Time



3484 TA05

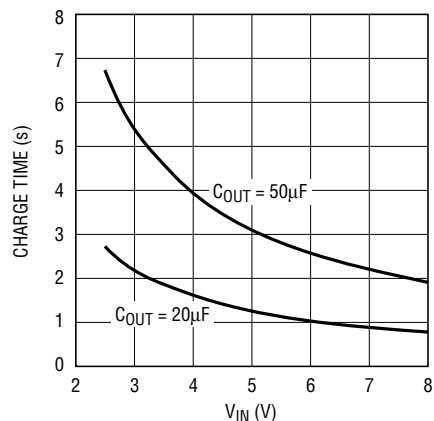
LT3484-1 Photoflash Circuit Uses Tiny 3mm Tall Transformer



C1: 4.7µF, X5R OR X7R, 10V
 T1: TDK PART# LDT565630T-002, $L_{PRI} = 14.5\mu\text{H}$, $N = 10.2$
 D1: VISHAY GSD2004S DUAL DIODE CONNECTED IN SERIES
 R1: PULL UP RESISTOR NEEDED IF DONE PIN USED

3484 TA04

Charge Time



3484 TA06

RELATED PARTS

| PART NUMBER | DESCRIPTION | COMMENTS |
|------------------------------|---|---|
| LTC3407 | Dual 600mA (I_{OUT}), 1.5MHz, Synchronous Step-Down DC/DC Converter | 96% Efficiency, V_{IN} : 2.5V to 5.5V, $V_{OUT(MIN)} = 0.6\text{V}$, $I_Q = 40\mu\text{A}$, $I_{SD} < 1\mu\text{A}$, MS10E Package |
| LT3420/LT3420-1 | 1.4A/1A, Photoflash Capacitor Chargers with Automatic Top-Off | Charges 220µF to 320V in 3.7 Seconds from 5V, V_{IN} : 2.2V to 16V, $I_Q = 90\mu\text{A}$, $I_{SD} < 1\mu\text{A}$, MS10 Package |
| LTC3425 | 5A I_{SW} , 8MHz, Multi-Phase Synchronous Step-Up DC/DC Converter | 95% Efficiency, V_{IN} : 0.5V to 4.5V, $V_{OUT(MIN)} = 5.25\text{V}$, $I_Q = 12\mu\text{A}$, $I_{SD} < 1\mu\text{A}$, QFN-32 Package |
| LTC3440 | 600mA (I_{OUT}), 2MHz, Synchronous Buck-Boost DC/DC Converter | 95% Efficiency, V_{IN} : 2.5V to 5.5V, $V_{OUT(MIN)}$: 2.5V to 5.5V, $I_Q = 25\mu\text{A}$, $I_{SD} < 1\mu\text{A}$, MS-10 Package |
| LT3468/LT3468-1/ LT3468-2 | 1.4A/0.7A/1A Photoflash Capacitor Chargers in ThinSOT™ | Charges 100µF to 320V in 4.6 Seconds from 5V, V_{IN} : 2.5V to 16V, $I_Q = 5\text{mA}$, $I_{SD} < 1\mu\text{A}$, ThinSOT Package |

ThinSOT is a trademark of Linear Technology Corporation.

3484012f